

MORE THAN THE SUM OF ITS PARTS

WATER DANCES THROUGH THE AIR WITH APPARENT WEIGHTLESSNESS, FORMS WONDERFUL SHAPES, AND BRINGS ALL UNDER ITS MAGICAL SPELL. PUT INTO EFFECT WITH THE HELP OF OASE TECHNIQUE.

MARDAN PALACE HOTEL

Location: Antalya, Turkey

Reminding of Arabian Nights, the site of Mardan Palace Hotel in Antalya, Turkey is one of the most exclusive Hotels in the Mediterranean. The installation combines water with laser and LED light and impresses by underlining the unique terrace architecture.

OASE reference object, left

It would be difficult to find a person who can resist the sight of wonderful water features. But, who is the artist? Is it the water that always invents new shapes, shows just how inadequate the observers' expectations are, and minute by minute invents a new figure? Is it the builder, architect, or artist who will enliven a plaza, who offers people a place to tarry, and who desires to offer the soul a few moments of infinity when viewing a water feature? Or is it the technician who works away, tries out, and tricks to exploit all the possibilities offered by this fascinating material?

OASE's achievement is bringing all water artists together with their extraordinary capabilities. The result are systems and entire projects – both are top draws on events and special highlights in very special surroundings:

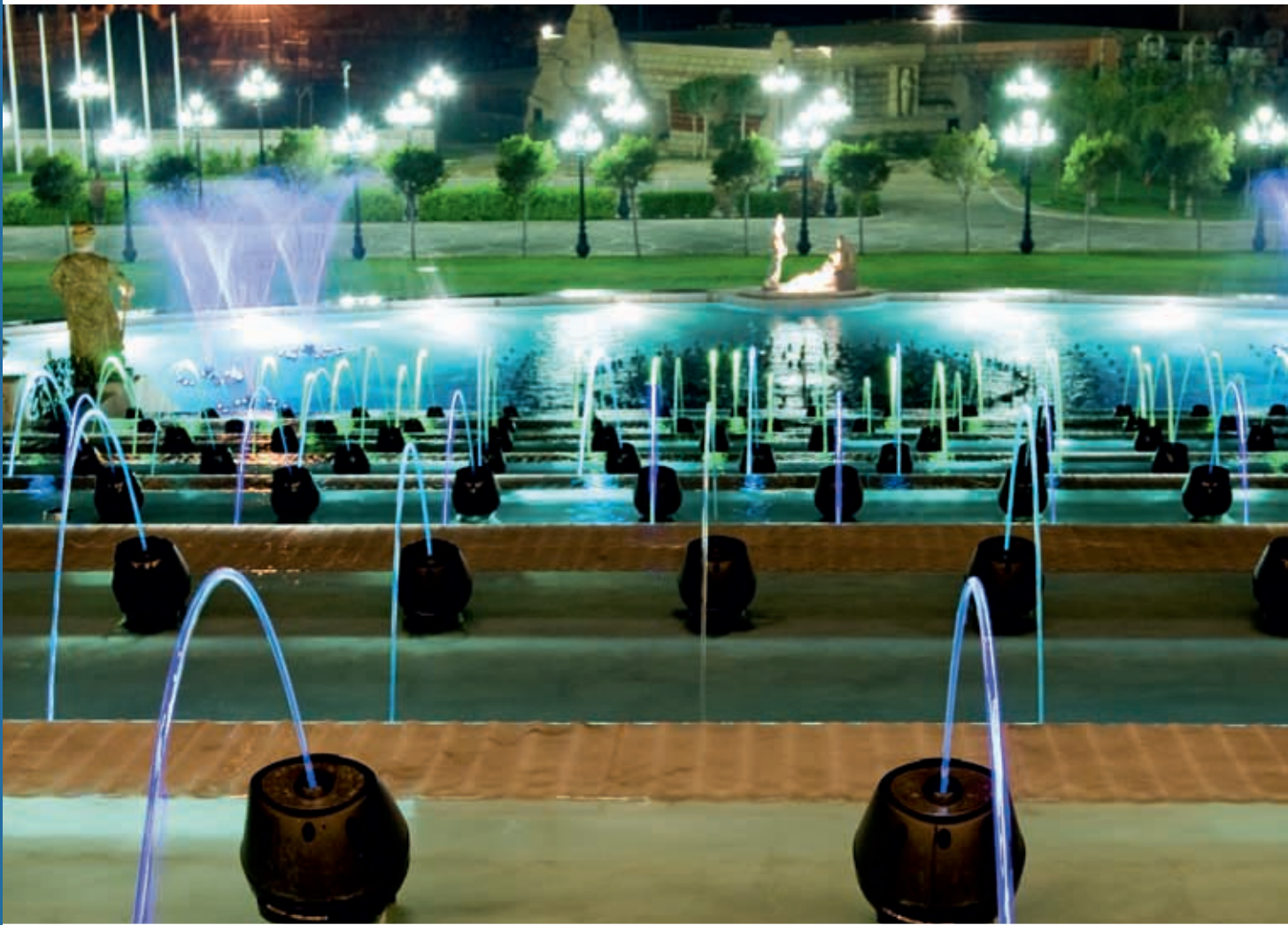
- Jumping Jet systems are a magnetic attraction at events, in leisure parks, and amusement parts, and they ensure something extra at all unusual events.

But see for yourself...



Jumping Jet systems from OASE are magnetic attractions at any event.

- | | |
|-----------------------|---------|
| • Jumping Jet systems | page 18 |
| Rainbow-Flash | page 20 |
| Rainbow-Star | page 22 |



PRECISION WATER FEATURES

The **Jumping Jet Rainbow Systems** are a fascinating attraction on every event – such as on Mount Faber in Singapore (image on the bottom right) – easy to install and programmable according to your wishes. Reminding of Arabian Nights, the site of Mardan Palace Hotel in Antalya, Turkey is one of the most exclusive Hotels in the Mediterranean. The installation combines water with laser and LED light and impresses by underlining the unique terrace architecture.

JUMPING JET SYSTEMS

Water jets magically shoot through the air in broad arcs and disappear, just as unexpectedly as they appeared – Jumping Jet systems are the attraction in leisure parks and amusement parks, in discotheques, at trade shows, exhibitions, and other events.

Each shot generates a new configuration of precisely-cut water jets that disappear in a small catch opening with pin-point precision. The fascinated observer never knows what will happen next. The effect is particularly beautiful at night when the water jet transports light freely through the surrounding darkness as if by magic. Moreover a continuous water arc that “stands in the air” like a glass jet can be generated with the Jumping Jet system to provide a totally unique fascination.





JUMPING JET RAINBOW FLASH /DMX/01

The Jumping Jet Rainbow Flash combines functionality, virtually unlimited creative freedom, and unique design.

The combination possibilities give the system an individual flair: The colour of the integrated RGB-light can be freely selected.

Alternatively the laminar water jet can also be cut off.

Product characteristics at a glance

- Can be used indoors and outdoors
- Surprising water features
- Precise, crystal clear water jets
- Jet diameter 18 mm
- Integrated illumination effects with strong RGB-LED light
- Cut off function
- Freely programmable with Easy Control system (not included)
- Vibration-free, quiet operation
- Easy to clean
- Extremely stable – with or without floor anchoring
- Fast and easy installation
- Compact stainless steel design

INNOVATION – MADE BY OASE



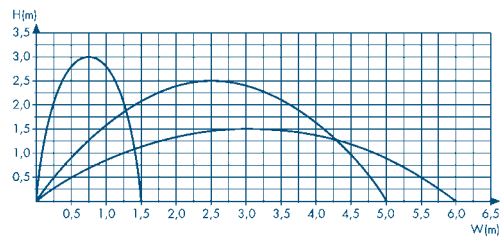


Technical note

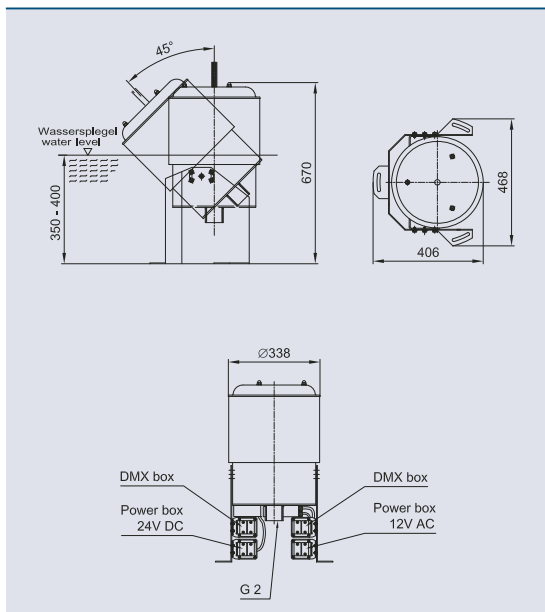
When operating the Rainbow-Flash, water can splash, particularly with water jets that are shot quickly in succession; the amount is approx. 2 litres per hour. The amount of splash water is negligible if the water jet is operated as a full, continuous parabola.

The water must be clean in order to transport light via the water jet. The target point can only be illuminated by the parabola (see graphic on right) if the water is clear.

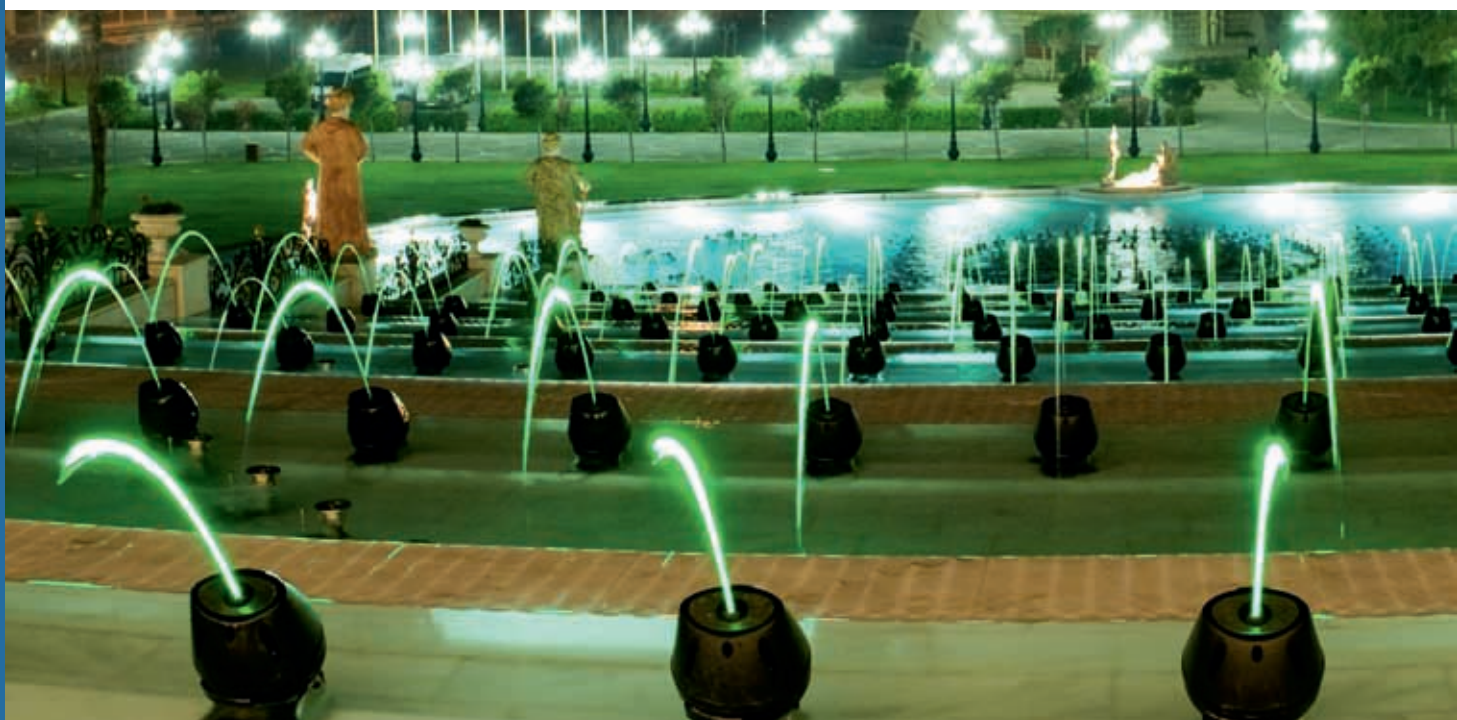
Possible water parabola



Jumping Jet Rainbow Flash



| Jumping Jet Rainbow Flash /DMX/01 | |
|---|-----------------------------|
| Dimensions (LxW x H) | 468 x 406 x 670 mm |
| Light type | LED RGB multiple spotlights |
| Rated voltage mechanical components | 24 V / DC |
| Rated voltage illumination | 12 V / AC |
| Power consumption mechanical components | 40 W |
| Power consumption illumination | 6 W |
| Jet diameter | 18 mm |
| Min. water depth | 300 mm |
| Max. water depth | 400 mm |
| Vertical pivoting range | 45 – 90° |
| DMX connection | 2 x |
| Material | stainless steel |
| Weight | approx. 50 kg |
| Order no. | 50346 |



JUMPING JET RAINBOW STAR

The new generation of the Rainbow Star combines functionality, virtually unlimited creative freedom, and unique design.

The combination possibilities give the system an individual flair: The colour of the integrated RGB-light can be freely selected and can be supported in its effect by numerous switchable running light functions. Alternatively the laminar water jet can also be cut off.

Product characteristics at a glance

- Can be used indoors and outdoors
- Selectable RGB-LED light
- Switchable running light function
- Laminar water jet
- Cut off function
- Freely programmable with Easy Control system (not included)
- Fast and easy installation



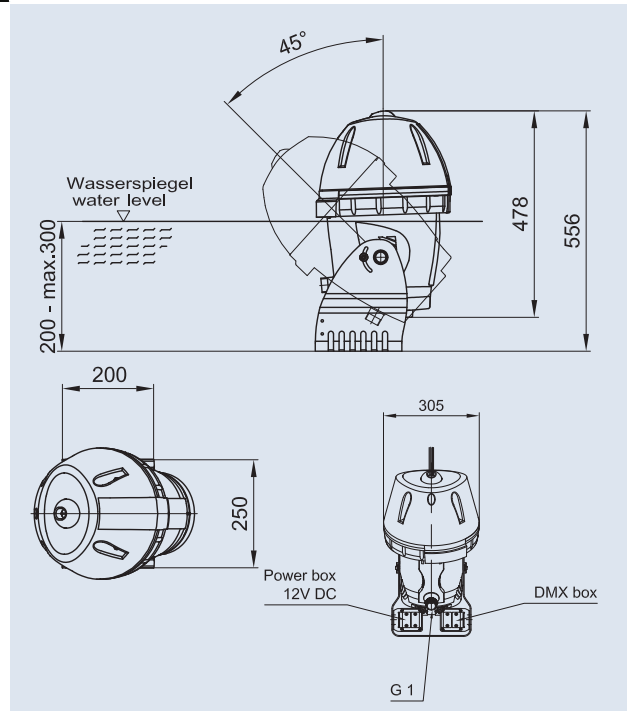


Technical note

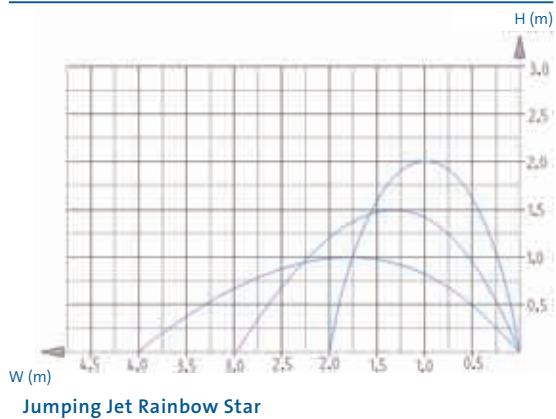
With the respective pump and control technique you can reach different water parabolas (see graphic below). An ideal pump for these effects is the **Varionaut 2**, see page 126.

When operating the Rainbow-Star, water can splash, particularly with water jets that are shot quickly in succession; the amount is approx. 2 litres per hour. The amount of splash water is negligible if the water jet is operated as a full, continuous parabola (see graphic).

The water must be clean in order to transport light via the water jet. The target point can only be illuminated by the parabola if the water is clear.



Possible water parabola



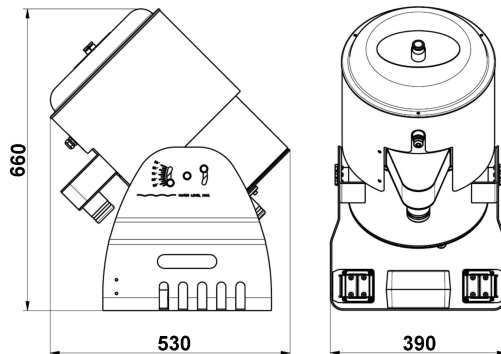
| Jumping Jet Rainbow Star /DMX/01 | |
|---|-----------------------------|
| Dimensions (L x W x H) | 478 x 305 x 555 mm |
| Light type | LED RGB multiple spotlights |
| Rated voltage (mechanical/illumination) | 12 V / AC |
| Power consumption (mechanical components) | 33 W |
| Jet diameter | 12 mm |
| Min. water depth | 200 mm |
| Max. water depth | 300 mm |
| Vertical pivoting range | 45 – 90° |
| DMX connection | 1 x |
| Material | stainless steel/plastic |
| Weight | approx. 11 kg |
| Order no. | 50345 |

OASE GmbH
 Tecklenburger Straße 161
 D - 48477 Hörstel
 Phone: +49(0)54 54 – 800
 Fax: +49(0)54 54 – 80 322
 info@oase-livingwater.com
 www.oase-livingwater.com

**Jumping Jet
 Rainbow Flash II/DMX/01**



50528



Product characteristics at a glance

- Can be used indoors and outdoors with dry installation technology
- Surprising water features, dynamic parabola possible
- Precise, crystal clear water jets
- Jet diameter 18 mm
- Integrated illumination effects with strong RGB-LED light
- Cut off function
- Freely programmable with Easy Control system (not included)
- Vibration-free, quiet operation
- Extremely stable - with or without floor anchoring
- Fast and easy installation
- Compact stainless steel design

Jumping Jet Rainbow Flash II/DMX/01

| | |
|--|---|
| Dimensions (length/width/height) | 530x390x660 mm |
| Light type | LED RGD multiple spotlight |
| Rated voltage mechanic and illumination | 12V / AC |
| total consumption | 35 W |
| Jet diameter | Ø18 mm |
| Max. water parabola laminar with light | 6 m |
| Max. water parabola laminar | 7 m |
| Max. pressure | 0,5 bar |
| Max. water depth (wet installation) | 250 mm |
| Min. hight from water level (dry installation) | 100 mm |
| Vertical pivoting range | 45 - 90° |
| Pressure side connection | Hose connection 1 1/2" |
| Outflow side connection | Hose connection 2" |
| DMX connection | 1 box |
| Number of DMX channels | 8 channels, start number 1 |
| Material | Stainles steel / UV stabilized polymer |
| Weight | approx. 50 kg |
| Environmental condition: submersible application | Water temperatur: min 4°C to max. 35°C |
| Environmental condition: dry application | Ambient temperatur: max 30°C with natural convection, max. 40°C |
| Environmental condition: water type | For fresh, pool and salt water application |
| Order no. | 50528 |

| | |
|--|---|
| Dimensions (length/width/height) | 530x390x660 mm |
| Light type | LED RGD multiple spotlight |
| Rated voltage mechanic and illumination | 12V / AC |
| total consumption | 35 W |
| Jet diameter | Ø18 mm |
| Max. water parabola laminar with light | 6 m |
| Max. water parabola laminar | 7 m |
| Max. pressure | 0,5 bar |
| Max. water depth (wet installation) | 250 mm |
| Min. hight from water level (dry installation) | 100 mm |
| Vertical pivoting range | 45 - 90° |
| Pressure side connection | Hose connection 1 1/2" |
| Outflow side connection | Hose connection 2" |
| DMX connection | 1 box |
| Number of DMX channels | 8 channels, start number 1 |
| Material | Stainles steel / UV stabilized polymer |
| Weight | approx. 50 kg |
| Environmental condition: submersible application | Water temperatur: min 4°C to max. 35°C |
| Environmental condition: dry application | Ambient temperatur: max 30°C with natural convection, max. 40°C |
| Environmental condition: water type | For fresh, pool and salt water application |
| Order no. | 50528 |

Available from January 2011

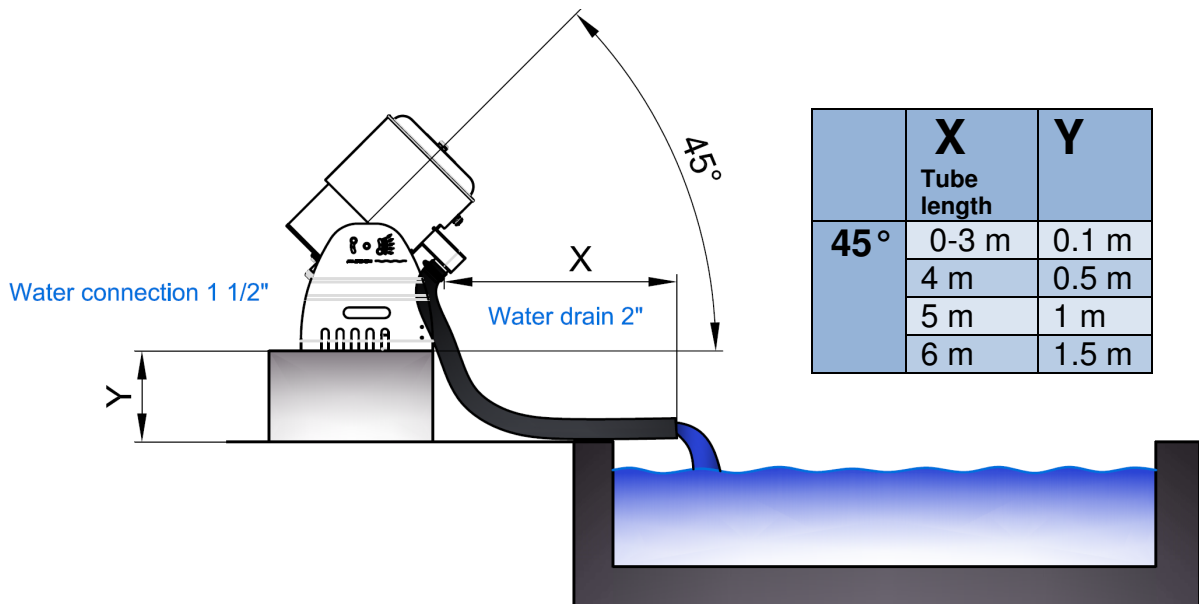
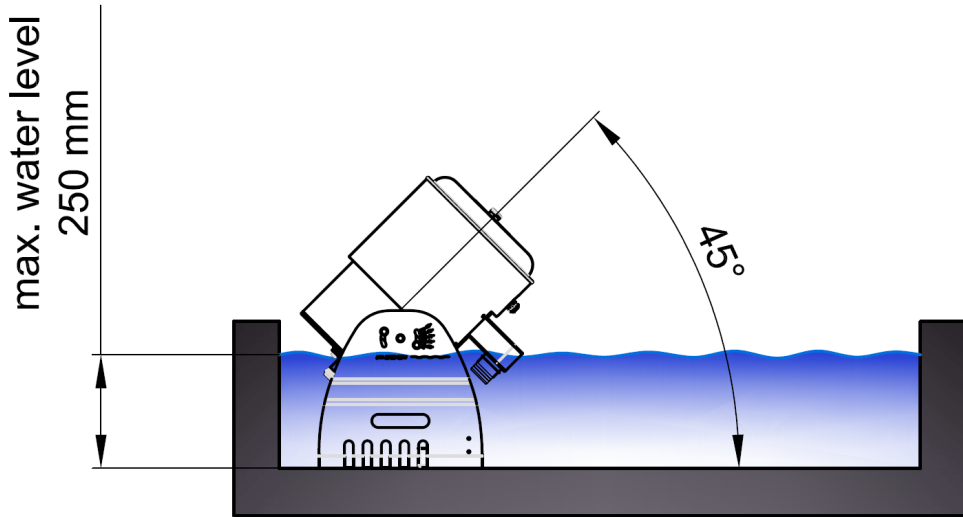
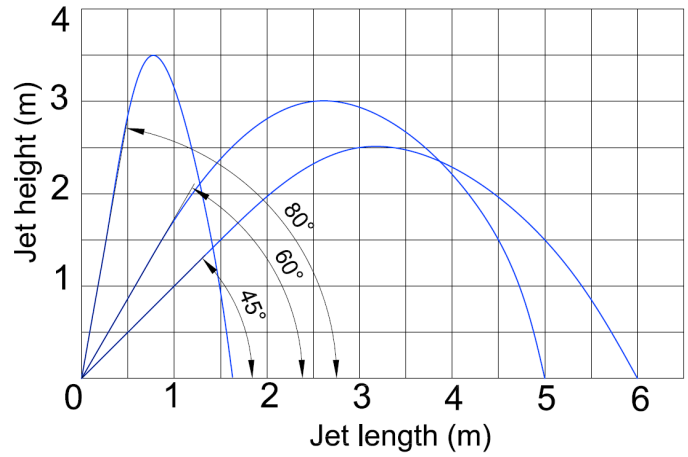
OASE GmbH
 Tecklenburger Straße 161
 D - 48477 Hörstel
 Phone: +49(0)54 54 – 800
 Fax: +49(0)54 54 – 80 322
 info@oase-livingwater.com
 www.oase-livingwater.com

**Jumping Jet
 Rainbow Flash II/DMX/01**



50528

| 45 ° Parabola | Jumping Jet Rainbow Flash II/DMX/01 | |
|--------------------------|--|----------------|
| Fountain width | DWB l/min | DDB bar |
| 1.25 m | 30 | 0.11 |
| 2.00 m | 36 | 0.15 |
| 3.00 m | 46 | 0.20 |
| 4.00 m | 54 | 0.24 |
| 5.00 m | 63 | 0.30 |
| 6.00 m | 72 | 0.36 |
| Order no. | 50528 | |



| | X | Y |
|-------------|--------------------|----------|
| 45 ° | Tube length | |
| | 0-3 m | 0.1 m |
| | 4 m | 0.5 m |
| | 5 m | 1 m |
| | 6 m | 1.5 m |

*Schlauch knickfrei verlegen / Hose to be laid without sharp bends

*Schlauchablauf muß frei oberhalb der Wasserlinie liegen / Hose outlet must be free and over water level